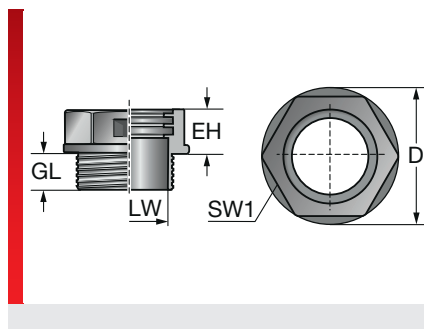
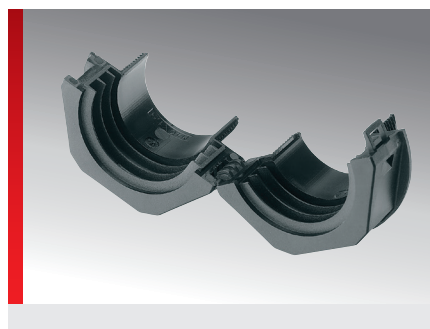


Type SVT-X



Hose connection, special threading

PRODUCT INFORMATION

The SVT-X split conduit fitting is made of specially modified polyamide 6. The material is self-extinguishing, and halogen, phosphor and cadmium-free. The fittings are used when cable protection conduits fitted with pre-assembled cables need to be fixed or cable protection conduits need to be retrofitted. The SVT-X is ideal for connecting to our Murrflex cable protection conduits with high corrugation.

Particular benefits of the SVT-X conduit fitting include:

- Subsequent installation or repairs
- Perfect for use with the GMT split lock nut
- Very good system tear-out strength
- Compact design
- Easy assembly and disassembly

Specification:

- EN 45545-2:2016 3x HL3

SPECIFICATIONS

- UL listed material Mod. polyamide PA 6
- IP 50
- 40 – 110 °C transient / short term
140 °C
- V0 self-extinguishing

Type	Order No.	Colour	Connecting thread	Suitable for Murrflex EW	LW mm	EH mm	GL mm	SW 1 / 2 mm	Pack qty.
Splittable hose/conduit fitting									
SVT-X M25x1.5/21	83651284	Black	M25x1.5	M25/P21	21.00	20.00	15.00	36.00	50
SVT-X M32x1.5/21	83651286	Black	M32x1.5	M25/P21	27.00	20.00	15.00	36.00	50
SVT-X M32x1.5/29	83651288	Black	M32x1.5	M32/P29	27.00	20.00	15.00	46.00	25
SVT-X M32x1.5/36	83651290	Black	M32x1.5	M40/P36	27.00	20.00	15.00	55.00	25
SVT-X M40x1.5/29	83651292	Black	M40x1.5	M32/P29	35.00	20.00	15.00	46.00	25
SVT-X M40x1.5/36	83651294	Black	M40x1.5	M40/P36	35.00	20.00	15.00	55.00	25
SVT-X M50x1.5/36	83651296	Black	M50x1.5	M40/P36	44.00	20.00	20.00	55.00	25
SVT-X M50x1.5/48	83651298	Black	M50x1.5	M50/P48	44.00	25.00	20.00	65.00	10

MATERIAL PROPERTIES

UL listed material Mod. polyamide PA 6

MECHANICAL PROPERTIES

Protection class
IP 50

THERMAL PROPERTIES

Temperature / temperature range
-40 – 110 °C transient / short term 140 °C

Type SVT-X

FIRE BEHAVIOUR



Fire classification

V0 self-extinguishing

Brandeigenschaften nach DIN EN 45545-2 : 2013 Rev. 2016

C.I.T. R22 / R23 HL3 = 0,43

LOI R22 / R23 HL3 = 33,8

Ds (max.) R22 / R23 HL3 = 63

APPROVALS AND OPERATING PERMITS



Railway EU approval

EN 45545-2 : 2016 R22 HL2 / R23 HL3

TECHNICAL INFORMATION



Halogen-free

CONFORMITY



RoHS (EC Directive 2002/95/EC)

GENERAL INFORMATION



Made in Germany

All details given in our sales material prospectuses and catalogues as well as the information available online are based on our current knowledge of the products described.

The electronic data and files made available by Murrplastik, particularly CAD files are based on our current knowledge of the product described.

A legally binding assurance of certain properties or the suitability for a certain purpose can not be determined from this information.

All information with respect to the chemical and physical properties of Murrplastik products as well as application advice given verbally, in writing or by tests, is given to the best of our knowledge.

This does not free the purchaser of carrying out their own inspections and tests in order to determine the suitability of a product for a specific purpose.

Murrplastik accepts no responsibility for the available information being up-to-date, correct or complete. Neither do we accept responsibility for the quality of this information.

Murrplastik accepts no liability for damage caused as a result of using our products.

Murrplastik reserves the right to make technical changes and improvements through constant further development of products and services.

Our General Terms and Conditions apply.

© Murrplastik Systemtechnik GmbH • proID_65682--20170712--890283--SUV_SVTX